

EM-18



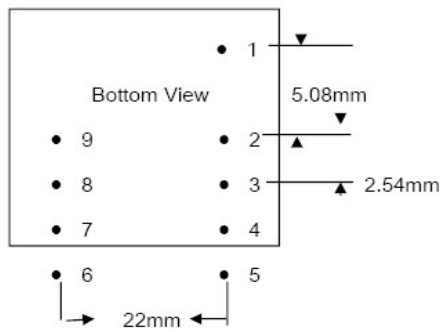
Tech parameter:

voltage : DC5V

electrical current : <50MA

operating frequency: 125KHZ

Read distance : 10CM



basal Specifications/:

1	VCC	5V
2	GND	GND
3	BEEP	BEEP AND LED
4	ANT	NO USE
5	ANT	NO USE
6	SEL	HIGH IS RS232,LOW IS WEIGAND
7	RS232	RS232
8	D1	WEIGAND DATA 1
9	D0	WEIGAND DATA 0

Bit	0	1	2	3	4	5	6	7	8	9	10	11	12	13	14	15	16	17	18	19	20	21	22	23	24	25
Note	P	D	D	D	D	D	D	D	D	D	D	D	D	D	D	D	D	D	D	D	D	D	D	D	D	P
	P	E	E	E	E	E	E	E	E	E	E	E	E													
														O	O	O	O	O	O	O	O	O	O	O	O	P

Note: E: Summed for even parity O: Summed for odd parity P:parity(even or odd)

D: Data code for card:the data will use the last 24 data bits of card

2.RS232 interface format:

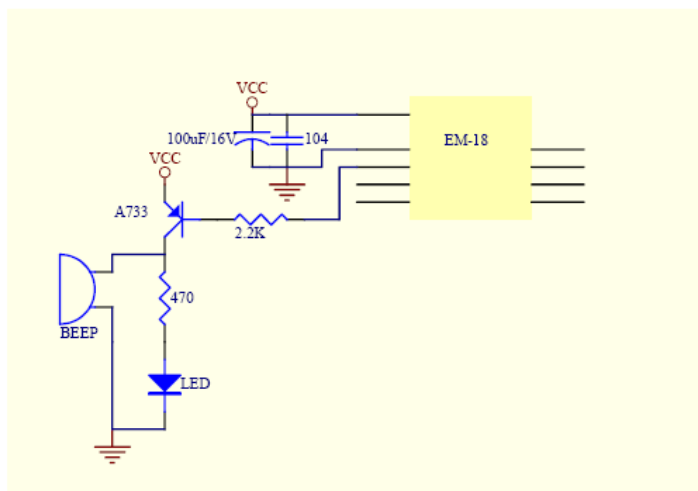
10 ASCII DATA (card no.) + 2 ASCII DATA (XOR result)

1.data baud rate:9600BPS 2.data bit : 8bits 3.Parity check : none 4.stop bit : 1

Dimension:

32mm(length) * 32mm(width) * 8mm(height)

applied circuit :



Technická podpora: Honza@flajzar.cz

Dodavatel: FLAJZAR,s.r.o., Lidéřovice 151, 696 61 Vnorovy (u Veselí nad Moravou)
tel.: +420 518 628 596, +420 518 324 086, +420 776 586 866, PO - PÁ 7,30 - 15,30 h.
fax: +420 518 324 088
Kompletní nabídka: www.flajzar.cz